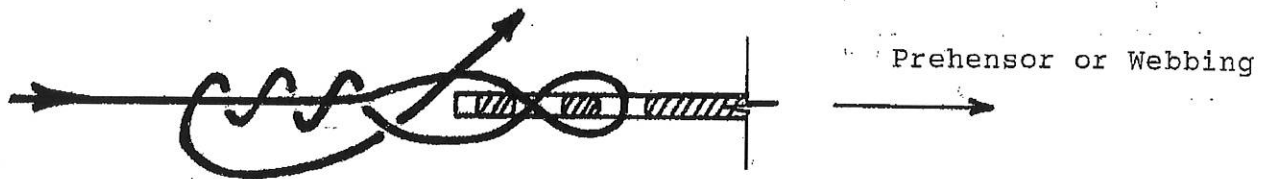
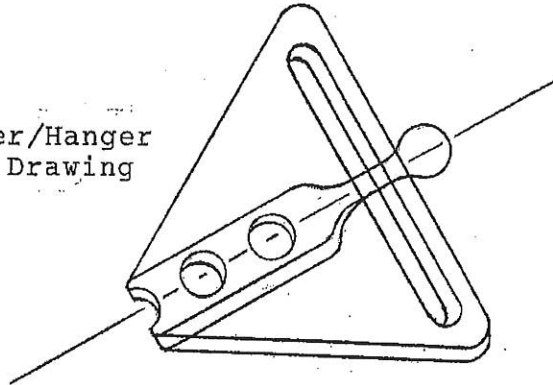


SPECTRA
 Cable Adapter and Hanger Fittings
 Instructions

Cable Adapter/Hanger
 Composite Drawing



SPECTRA® Installation and Attachment Hints

SPECTRA® is a super tough, ultra high molecular weight polyethylene fiber. It is very slippery and does not cut easily. Use a new, razor blade. Apply "Super Glue" to a small area of the SPECTRA then stretch it. Allow the glue to "set/dry" then cut it. This will provide a cleaner cut. Angle cutting the SPECTRA will provide a better leading edge.

SPECTRA Must be used in a teflon or plastic liner.

Pull the SPECTRA into and through a teflon or plastic liner using a vacuum pump's suction OR by using a thin piece of piano wire looped over and glued to SPECTRA. The vacuum pump technique works best however.

Weave SPECTRA and tie onto the special SPECTRA fittings according to the diagrams illustrated above. SPECTRA will take approximately a 1/2 inch knot set, i.e., it will provide you with 1/2 inch more cable length as you set or tighten the knot. Take this into consideration if the length is critical. Add a drop of Super Glue to the knot once it is tightened as this technique will help prevent the knot from getting loose. Trim off excess.