

DRUMSTICK ADAPTER

INSTRUCTIONS

Please refer to the drawing on the back of this sheet.

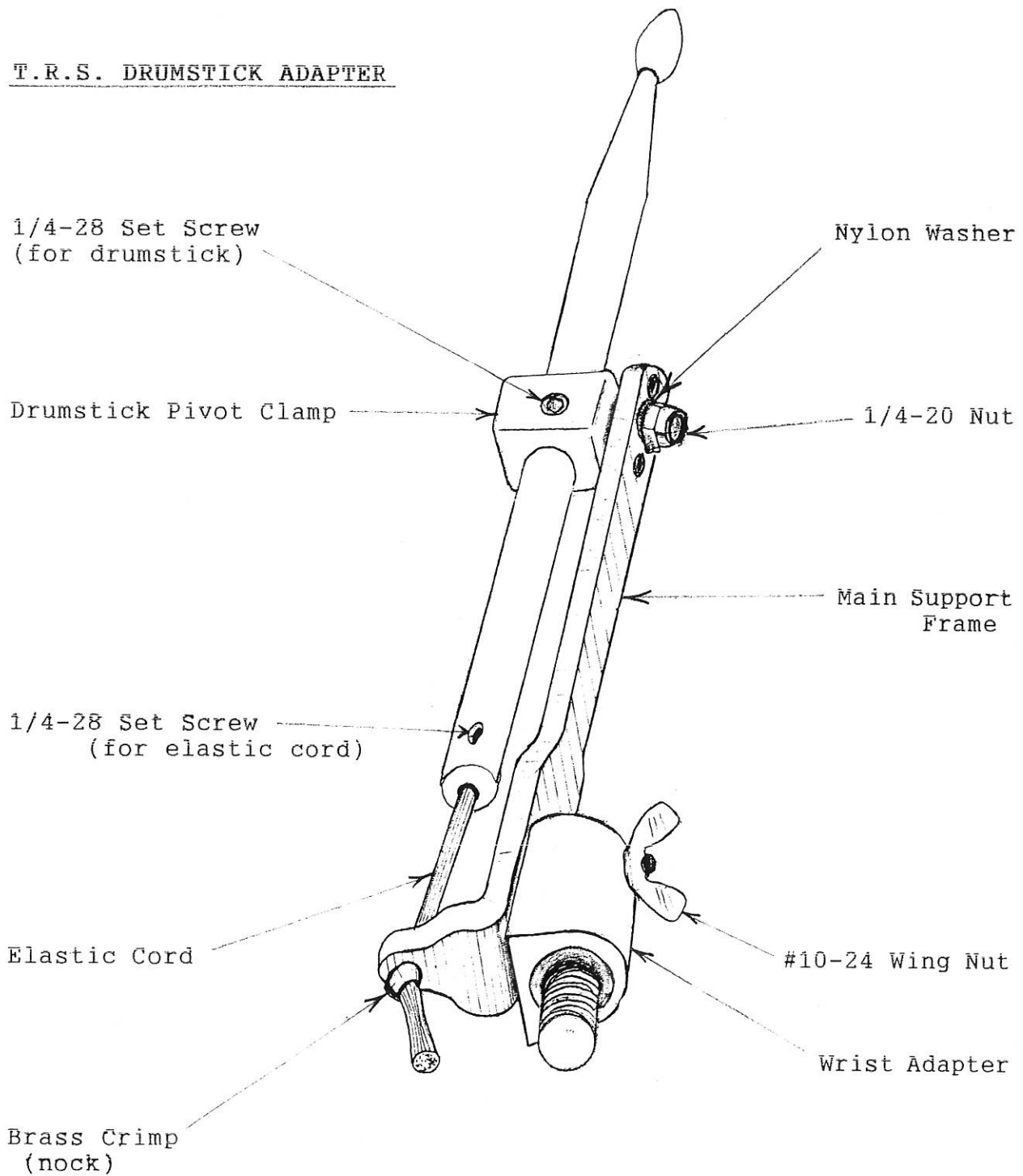
The T.R.S. Drumstick Adapter will operate with all standard drumstick sizes. However, due to the wide range of stick diameters the “Drumstick Pivot Clamp” is left undrilled so an accurate fit may be obtained. The prosthetist or patient may perform this simple operation by following the steps below. T.R.S. can also complete this operation at the customer’s request.

- 1) Drilling the hole in the “Drumstick Pivot Clamp”: Remove Pivot Clamp from the “Main Support Frame”. Measure diameter of drumstick to be used. Drill a slightly oversized hole through the Pivot Clamp at the 1/8" pilot hole. Clean edges of hole with a razor knife.
- 2) Cut drumstick to 13" in length.
- 3) Drill the elastic cord mounting hole: Find the center of the back end of the drumstick and drill a 11/64" hole 1" deep.
- 4) Drill and tap the elastic cord set screw hole: Measure 5/8" from the back end of the stick and make a mark. Drill and tap a hole, at this point, for the 1/4"-28 set screw to secure the elastic cord.
- 5) Slip the end of the elastic cord into the end of the stick and secure with the set screw.
- 6) Reassemble the “Drumstick Pivot Clamp” onto the “Main Support Frame”. Adjust the nut to remove any excess free-play yet allow for free movement of the Pivot Clamp.
- 7) Slide drumstick into Pivot Clamp. Secure with the set screw so that there is approximately 2" between the stick end and the elastic cord hole in the “ Main Support Frame”.
- 8) Slide the elastic cord through the hole in the “Main Support Frame” and clamp in position with the small brass crimp or “nock”.

Experiment with different stick positions and elastic tensions to find the optimum setting!

Please call us toll free for any assistance at 1-800-279-1865

T.R.S. DRUMSTICK ADAPTER



Detail: Drumstick Modification

